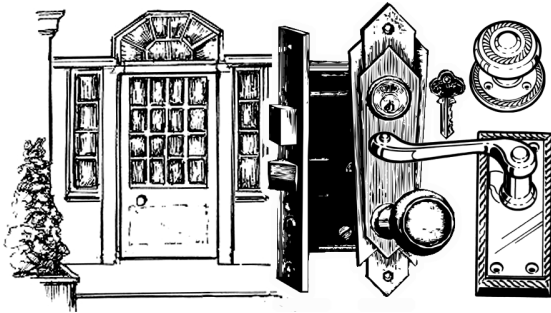




# REPLACING DOOR FURNITURE 20



**Before purchasing door furniture and locks, read every step thoroughly then talk to one of our experts**

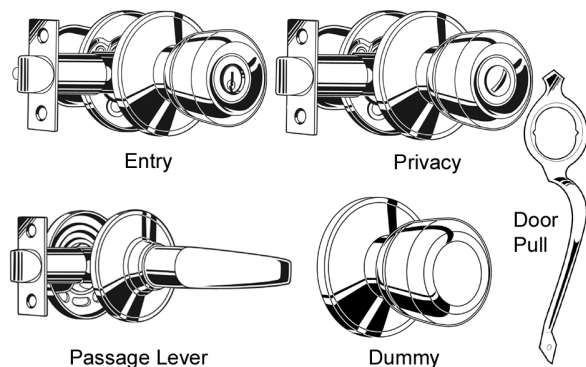
Door furniture refers to any of the items that are attached to a door or a drawer to enhance its functionality or appearance. These items include latches, locks, knobs, handles, flush pulls and push plates

Transforming your home's appearance for relatively little cost is just one of the reasons for changing your home's door furniture. You might also want to improve security or replace a broken lock with a new one. Even if there's nothing wrong with your existing door furniture, you might want to upgrade to lever-style door handles which are much easier to operate, especially for children or people with arthritis and limited hand strength.

If you are planning to redecorate or upgrade your home and want to replace your door furniture, there are things that you need to take into consideration.

## Choosing Door Furniture

Door furniture is generally available with either knob or lever style handles and can, in some circumstances, be used in conjunction with a separate lock. Here is a breakdown of the types you can get that will help you determine what you need.



**Entrance Door Furniture** - Has keyed cylinders and is generally used on exterior doors. It operates with a key from the exterior of the home and a turn/push button from the interior.

**Privacy Door Furniture** - Is generally used on bedrooms and bathrooms. It is lockable by a turn/push button on the inside but can be unlocked in an

emergency by inserting an emergency release tool from the outside.

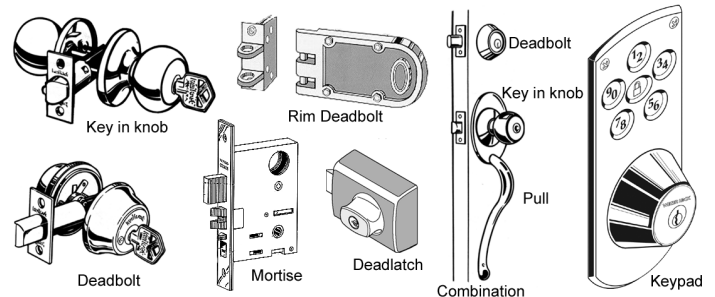
**Passage Door Furniture** - Has a latch that retracts when it is turned but does not lock. It is generally used on closets or other doors where a lock is not required.

**Dummy Door Furniture** - Is face mounted with screws and does not have a latch and does not turn or perform a function other than for decorative purposes.

**Door Pull** - Is a handle or grip designed for attachment to a door to facilitate opening and closing.

## Choosing Door Locks

Locks can form an integral part of the door furniture, such as a key in knob lock, or can be used in conjunction other door furniture, such as a dead bolt and a door pull.



### Key in Knob Lock

Key-in knob-locks are the most common type of lock used on residential entry doors but actually offer little protection. A key must be used from the outside, while a convenient push or turn button is used from the inside. The bevelled end of their spring latch makes it easy to defeat the lock by inserting a credit card between the door and the frame.

### Mortise Lock

A lock fitting a rectangular shaped cavity in the edge of a door. A round hole in the face of the door receives a spindle to which knobs or levers are attached. If key operated, a second round hole above the first receives the cylinder(s) and thumb turn.

### Dead Bolt

Dead bolt locks come in two types: single cylinder and double cylinder. Single cylinder locks operate with a key from the outside and a thumb lever on the inside.

Double cylinder locks use a key both inside and out and are recommended for doors located near windows and sidelights.

### Rim Lock

Rim locks are surface mounted on the inside edge, or "rim" of the door. The vertical dead bolt rim lock is an excellent choice to make when replacing an old fashioned rim lock or adding an auxiliary lock to a door.

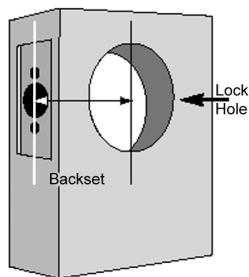
### Dead Latch

Automatically activates a deadlock mechanism when the door is closed. The closing latch triggers a bolt that is dead from the outside and cannot be manipulated without using the key.

**Keypad Lock** - Punching in the code on the keypad activates the bolt for both locking and unlocking. People with dexterity problems especially appreciate the keypad that replaces a key activated lock.

## Measurements You Need

Because you are replacing existing door furniture there are certain limitations on your choice of replacement. Basically this revolves around the size and positioning of the existing holes in your door. You will need to know the following when shopping for your new door furniture.



**Holes** - The diameter of the holes drilled through the door face to accommodate the existing, knob, lever, handle set or deadbolt.

**Latch backset** - This is the distance from the edge of the door to the centre of the hole drilled in the face of the door for the lock. Common sizes

are 60mm and 70mm.

**Stile width** - Check the size of the stile on a hollow door to make sure you have enough width for your replacement furniture.

## Overcoming Problems

**Replacing an old fashioned mortise lock with a cylindrical lock.**

Remove the interior and exterior knobs and hardware from the old lock.

Remove the screws and set screws from the latch face on the edge of the door and slide out the old mortise lock mechanism.

Cut a block of scrap wood to fill the mortise and glue the block of wood into the door mortise. Fill the holes on the sides and edge of the door with "builders bog" and refinish the surface of the door.

Fit the new cylindrical lock using the template and instructions supplied with the new lock.

**When the replacement lock hole is smaller than the existing hole.**

If the doors have an existing painted finish there is really no problem, as repair work on these doors can easily be painted over. Use an epoxy resin filler to fill the existing hole and cover any voids. Allow the filler to harden as per manufacturer's instructions and then sand the finish surface smooth. Prime and repaint to match existing door.

Polished timber doors pose a different problem as any filling used to fill old holes will show through the finish and cannot be covered up. Sometimes a new door is the only solution.

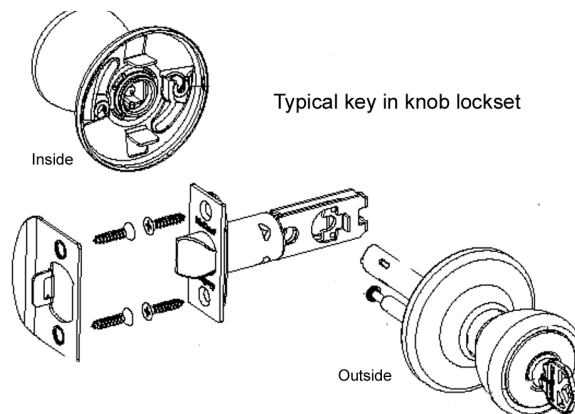
**Removing an old cylindrical lockset**

Start by removing the inside knob. If your doorknob has screws on the cover plates, remove those to loosen the old knob. Usually the inside half of the lockset will pull off and the outside can be removed simply by pulling it out.

If there are no visible screws look for a slot on the side of the handle that has a little piece of metal sticking out that can be depressed with a small flathead screwdriver, then pull the knob toward you, it should slide off the stem.

The cover plate below will be revealed. Look for a notch in the plate along the seam where it butts against the door. Slip the top of the screwdriver into this space. Angle the screwdriver's handle toward you and the cover should pop off easily.

With the plate removed, you'll see the screws you should remove to extract the rest of the lock



Typical key in knob lockset

## How To Hand A Door

If you want to use lever handles on your doors, you'll need to know if you need a right hand lever or a left hand lever.

The easiest way to tell if a door is a left-hand or right-hand door is to first stand outside the room looking in. Then, if the hinges are on the right side of the door and the doorknob is on the left side, then you need a right hand lever. The opposite is true for a left-hand door: the hinges will be on the left side of the door when you are looking inside.

## Kitchen Cupboard Doors

When replacing cupboard door handles the first thing you need to do is determine how many holes are drilled in the doors or drawers.

If there is only one hole, the easiest thing to do is to replace the existing knob with a new knob.

If there are two holes, then you'll need to measure the distance from hole centre to hole centre, and find a replacement pull with the same centre to centre distance. If this is not possible try to find a pull with large enough back plates that will cover any old holes that will result if you drill new ones. With painted doors, you could fill the old holes, repaint and drill new holes.

## Door Furniture Hints

- Sometimes environmental factors affect the material you need to use. If for example you live near the sea, door furniture needs to be corrosion resistant.
- If you're replacing the door furniture on an older house, save all the old furniture. If it's not worth much now, it probably will in the future.

### Disclaimer:

*The Retailer which supplies this information (which includes the authors of this advice and the owner, proprietors and employees) is not responsible for the results of any actions taken on the basis of this information nor for any error or omission in this advice. The Retailer expressly disclaims all and any liability and responsibility in respect of anything done consequent on the whole or any part of this advice.*

*The recipient of this advice is advised to call a qualified tradesperson such as an electrician, plumber or carpenter where expert services are required.*

*Building permits may be required and there may be legal requirements or statutory bodies that need to be followed in the implementation of this advice. All such permits and requirements are the responsibility of the recipient of this advice.*

© Copyright Hardware & Building Traders Pty Limited

## With Compliments